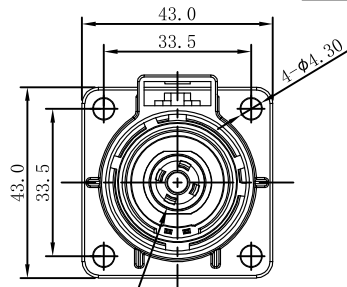
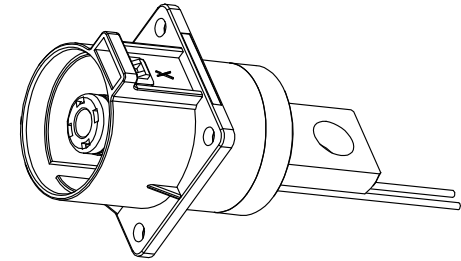


Customer Drawing

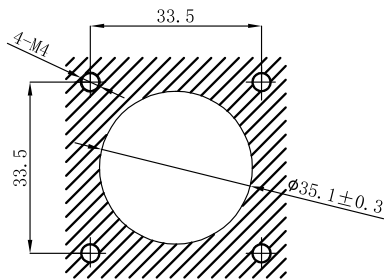
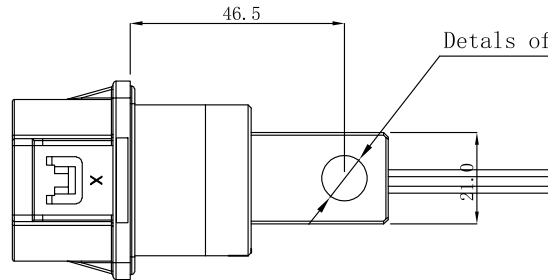
Ordering Information

HPC00X - 50		1	-	10 D	10
Key & The Color of Touch-proof Cover :		HVIL:		Hold Type:	Hole Size:
X, Orange Y, Black U, Yellow V, Green W, Red		0, Without HVIL 1, With HVIL		D, Through Hole M, Screw hole	8 : Match M8 screw 10: Match M10 screw

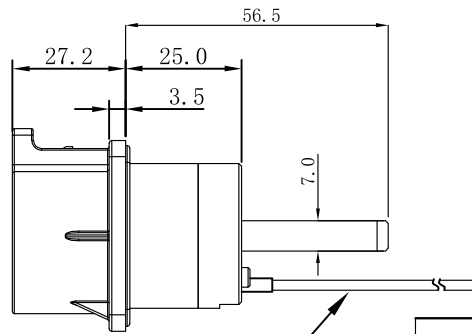
Revisions					
REV#	ECN#	Description		APPR	Date
A	-	Initial Release		EC	2017/06/20



The Color of Touch-proof Cover Refer to "Ordering Information"



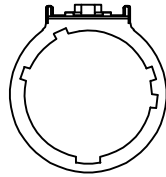
Panel Size



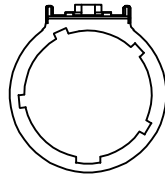
HVIL Wire

- Spec:
1. Operating Temperature:  $-40^{\circ}\text{C} \sim +125^{\circ}\text{C}$ .
  2. Current Rating: 500 A.
  3. Operating Voltage: 1000 VDC.
  4. Dielectric Withstanding Voltage: 5000 VDC.
  5. Protection Class: IP67 & IP2X.
  6. Shielding.
  7. Mating Cycle: 500 Min.
  8. Automatic Secondary Lock.
  9. Electrical Interlock (HVIL).

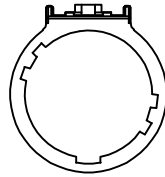
		JW iConnector Technology Co., Ltd.			Part Name:
		Weight	Material Zn Alloy		HPC 500A Receptacle
Signature		Date	Page	Tolerance Unless Otherwise Specified (mm)	Part Number:
DRWN	Rey	2017/06/09	1/2	0 PL DEC $\pm 1.0$ 1 PL DEC $\pm 0.5$ 2 PL DEC $\pm 0.2$ Angles $\pm 1^{\circ}$	See Table
CHKD	GX	2017/06/09	First Angle Projection		Drawing No:
APPR	EC	2017/06/09			HPC00-501



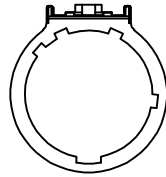
KEY X



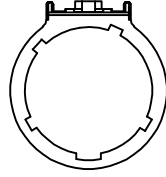
KEY Y



KEY U

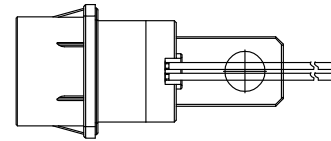


KEY V

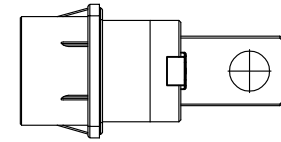


KEY W

Revisions					
REV#	ECN#	Description		APPR	Date
A	-	Initial Release		EC	2017/06/20



With HVIL



Without HVIL

Receptacle With HVIL			
P/N	Description	P/N	Description
HPC00X-501-10D8	HPC 500A RCPT HVIL X KEY $\phi$ 8MM	HPC00X-501-10M8	HPC 500A RCPT HVIL X KEY M8
HPC00Y-501-10D8	HPC 500A RCPT HVIL Y KEY $\phi$ 8MM	HPC00Y-501-10M8	HPC 500A RCPT HVIL Y KEY M8
HPC00U-501-10D8	HPC 500A RCPT HVIL U KEY $\phi$ 8MM	HPC00U-501-10M8	HPC 500A RCPT HVIL U KEY M8
HPC00V-501-10D8	HPC 500A RCPT HVIL V KEY $\phi$ 8MM	HPC00V-501-10M8	HPC 500A RCPT HVIL V KEY M8
HPC00W-501-10D8	HPC 500A RCPT HVIL W KEY $\phi$ 8MM	HPC00W-501-10M8	HPC 500A RCPT HVIL W KEY M8
HPC00X-501-10D10	HPC 500A RCPT HVIL X KEY $\phi$ 10MM	HPC00X-501-10M10	HPC 500A RCPT HVIL X KEY M10
HPC00Y-501-10D10	HPC 500A RCPT HVIL Y KEY $\phi$ 10MM	HPC00Y-501-10M10	HPC 500A RCPT HVIL Y KEY M10
HPC00U-501-10D10	HPC 500A RCPT HVIL U KEY $\phi$ 10MM	HPC00U-501-10M10	HPC 500A RCPT HVIL U KEY M10
HPC00V-501-10D10	HPC 500A RCPT HVIL V KEY $\phi$ 10MM	HPC00V-501-10M10	HPC 500A RCPT HVIL V KEY M10
HPC00W-501-10D10	HPC 500A RCPT HVIL W KEY $\phi$ 10MM	HPC00W-501-10M10	HPC 500A RCPT HVIL W KEY M10

Receptacle Without HVIL			
P/N	Description	P/N	Description
HPC00X-500-10D8	HPC 500A RCPT X KEY $\phi$ 8MM	HPC00X-500-10M8	HPC 500A RCPT X KEY M8
HPC00Y-500-10D8	HPC 500A RCPT Y KEY $\phi$ 8MM	HPC00Y-500-10M8	HPC 500A RCPT Y KEY M8
HPC00U-500-10D8	HPC 500A RCPT U KEY $\phi$ 8MM	HPC00U-500-10M8	HPC 500A RCPT U KEY M8
HPC00V-500-10D8	HPC 500A RCPT V KEY $\phi$ 8MM	HPC00V-500-10M8	HPC 500A RCPT V KEY M8
HPC00W-500-10D8	HPC 500A RCPT W KEY $\phi$ 8MM	HPC00W-500-10M8	HPC 500A RCPT W KEY M8
HPC00X-500-10D10	HPC 500A RCPT X KEY $\phi$ 10MM	HPC00X-500-10M10	HPC 500A RCPT X KEY M10
HPC00Y-500-10D10	HPC 500A RCPT Y KEY $\phi$ 10MM	HPC00Y-500-10M10	HPC 500A RCPT Y KEY M10
HPC00U-500-10D10	HPC 500A RCPT U KEY $\phi$ 10MM	HPC00U-500-10M10	HPC 500A RCPT U KEY M10
HPC00V-500-10D10	HPC 500A RCPT V KEY $\phi$ 10MM	HPC00V-500-10M10	HPC 500A RCPT V KEY M10
HPC00W-500-10D10	HPC 500A RCPT W KEY $\phi$ 10MM	HPC00W-500-10M10	HPC 500A RCPT W KEY M10

		JW iConnector Technology Co., Ltd.			Part Name: HPC 500A Receptacle	
		Weight	Material Zn Alloy		Part Number: See Table	
Signature		Date	Page	Tolerance Unless Otherwise Specified (mm) 0 PL DEC $\pm$ 1.0 1 PL DEC $\pm$ 0.5 2 PL DEC $\pm$ 0.2 Angles $\pm$ 1°	Drawing No: HPC00-501	
DRWN	Rey	2017/06/09	2/2			
CHKD	GX	2017/06/09	First Angle Projection			
APPR	EC	2017/06/09				

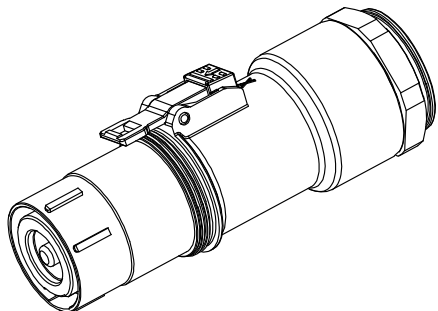
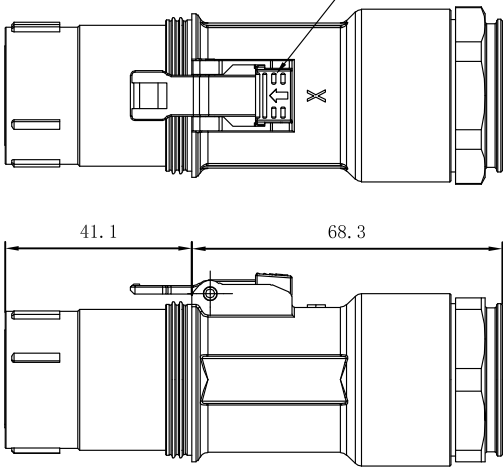
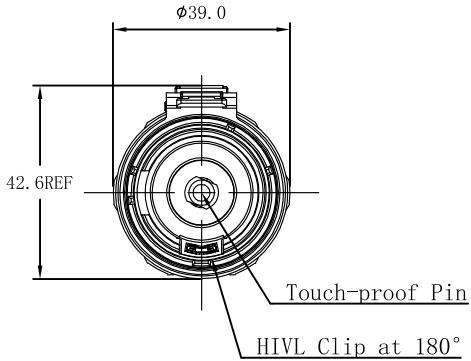
Revisions				
REV#	ECN#	Description	APPR	Date
A	-	Initial Release	EC	2017/06/09

**HPC 1 8 X - 50 1 - 120**

<b>Plug Type:</b> 18, Shielding Straight Plug 48, Unshielding Straight Plug	<b>Key:</b> X, Orange Y, Black U, Yellow V, Green W, Red	<b>HVIL:</b> 0, Without HVIL 1, With HVIL	<b>Cable OD Recommend:</b> 70, 70mm <sup>2</sup> 95, 95mm <sup>2</sup> 120, 120mm <sup>2</sup> 135, 135mm <sup>2</sup> 150, 150mm <sup>2</sup>
---	---	---	---

Customer Drawing

The Color of Plastic Button Refer to "Ordering Information"



- Spec. :
1. Operating Temperature: -40° C~+125° C.
  2. Current Rating: 500 A.
  3. Operating Voltage: 1000 VDC.
  4. Dielectric Withstanding Voltage: 5000 VDC.
  5. Protection Class: IP67 & IP2X.
  6. Shielding.
  7. Mating Cycle: 500 Min.
  8. Automatic Secondary Lock.
  10. Mating Receptacle: See Drawing "HPC00-501"


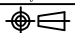
		JW iConnector Technology Co., Ltd.		
		Weight	Material Zn Alloy	Part Name: HPC 500A Straight Plug
Signature	Date	Page	Tolerance Unless Otherwise Specified (mm):	Part Number: See Table
DRWN Rey	2017/06/09	1/2	0 PL DEC ± 1.0 1 PL DEC ± 0.5 2 PL DEC ± 0.2 Angles ±1°	
CHKD GX	2017/06/09	First Angle Projection		Drawing No: HPC18-501
APPR EC	2017/06/09			

Revisions				
REV#	ECN#	Description	APPR	Date
A	-	Initial Release	EC	2017/06/09

With HVIL & Shielding Cable			Without HVIL & Shielding Cable		
P/N	Description	Cable OD Recommend	P/N	Description	Cable OD Recommend
HPC18X-501-70	HPC 500A PLUG HVIL X KEY 70MM <sup>2</sup>	19.5±0.5	HPC18X-500-70	HPC 500A PLUG X KEY 70MM <sup>2</sup>	19.5±0.5
HPC18Y-501-70	HPC 500A PLUG HVIL Y KEY 70MM <sup>2</sup>		HPC18Y-500-70	HPC 500A PLUG Y KEY 70MM <sup>2</sup>	
HPC18U-501-70	HPC 500A PLUG HVIL U KEY 70MM <sup>2</sup>		HPC18U-500-70	HPC 500A PLUG U KEY 70MM <sup>2</sup>	
HPC18V-501-70	HPC 500A PLUG HVIL V KEY 70MM <sup>2</sup>		HPC18V-500-70	HPC 500A PLUG V KEY 70MM <sup>2</sup>	
HPC18W-501-70	HPC 500A PLUG HVIL W KEY 70MM <sup>2</sup>		HPC18W-500-70	HPC 500A PLUG W KEY 70MM <sup>2</sup>	
HPC18X-501-95	HPC 500A PLUG HVIL X KEY 95MM <sup>2</sup>	22.6±0.5	HPC18X-500-95	HPC 500A PLUG X KEY 95MM <sup>2</sup>	22.6±0.5
HPC18Y-501-95	HPC 500A PLUG HVIL Y KEY 95MM <sup>2</sup>		HPC18Y-500-95	HPC 500A PLUG Y KEY 95MM <sup>2</sup>	
HPC18U-501-95	HPC 500A PLUG HVIL U KEY 95MM <sup>2</sup>		HPC18U-500-95	HPC 500A PLUG U KEY 95MM <sup>2</sup>	
HPC18V-501-95	HPC 500A PLUG HVIL V KEY 95MM <sup>2</sup>		HPC18V-500-95	HPC 500A PLUG V KEY 95MM <sup>2</sup>	
HPC18W-501-95	HPC 500A PLUG HVIL W KEY 95MM <sup>2</sup>		HPC18W-500-95	HPC 500A PLUG W KEY 95MM <sup>2</sup>	
HPC18X-501-120	HPC 500A PLUG HVIL X KEY 120MM <sup>2</sup>	23.5±0.5	HPC18X-500-120	HPC 500A PLUG X KEY 120MM <sup>2</sup>	23.5±0.5
HPC18Y-501-120	HPC 500A PLUG HVIL Y KEY 120MM <sup>2</sup>		HPC18Y-500-120	HPC 500A PLUG Y KEY 120MM <sup>2</sup>	
HPC18U-501-120	HPC 500A PLUG HVIL U KEY 120MM <sup>2</sup>		HPC18U-500-120	HPC 500A PLUG U KEY 120MM <sup>2</sup>	
HPC18V-501-120	HPC 500A PLUG HVIL V KEY 120MM <sup>2</sup>		HPC18V-500-120	HPC 500A PLUG V KEY 120MM <sup>2</sup>	
HPC18W-501-120	HPC 500A PLUG HVIL W KEY 120MM <sup>2</sup>		HPC18W-500-120	HPC 500A PLUG W KEY 120MM <sup>2</sup>	
HPC18X-501-135	HPC 500A PLUG HVIL X KEY 135MM <sup>2</sup>	25.5±0.5	HPC18X-500-135	HPC 500A PLUG X KEY 135MM <sup>2</sup>	25.5±0.5
HPC18Y-501-135	HPC 500A PLUG HVIL Y KEY 135MM <sup>2</sup>		HPC18Y-500-135	HPC 500A PLUG Y KEY 135MM <sup>2</sup>	
HPC18U-501-135	HPC 500A PLUG HVIL U KEY 135MM <sup>2</sup>		HPC18U-500-135	HPC 500A PLUG U KEY 135MM <sup>2</sup>	
HPC18V-501-135	HPC 500A PLUG HVIL V KEY 135MM <sup>2</sup>		HPC18V-500-135	HPC 500A PLUG V KEY 135MM <sup>2</sup>	
HPC18W-501-135	HPC 500A PLUG HVIL W KEY 135MM <sup>2</sup>		HPC18W-500-135	HPC 500A PLUG W KEY 135MM <sup>2</sup>	
HPC18X-501-150	HPC 500A PLUG HVIL X KEY 150MM <sup>2</sup>	27.1±0.5	HPC18X-500-150	HPC 500A PLUG X KEY 150MM <sup>2</sup>	27.1±0.5
HPC18Y-501-150	HPC 500A PLUG HVIL Y KEY 150MM <sup>2</sup>		HPC18Y-500-150	HPC 500A PLUG Y KEY 150MM <sup>2</sup>	
HPC18U-501-150	HPC 500A PLUG HVIL U KEY 150MM <sup>2</sup>		HPC18U-500-150	HPC 500A PLUG U KEY 150MM <sup>2</sup>	
HPC18V-501-150	HPC 500A PLUG HVIL V KEY 150MM <sup>2</sup>		HPC18V-500-150	HPC 500A PLUG V KEY 150MM <sup>2</sup>	
HPC18W-501-150	HPC 500A PLUG HVIL W KEY 150MM <sup>2</sup>		HPC18W-500-150	HPC 500A PLUG W KEY 150MM <sup>2</sup>	

Customer Drawing

Cable Size	Cable OD Shielding	Cable OD Unshielding
70 mm <sup>2</sup>	19.5±0.5	15.5±0.5
95 mm <sup>2</sup>	22.6±0.5	18.2±0.5
120 mm <sup>2</sup>	23.5±0.5	19.7±0.5
135 mm <sup>2</sup>	25.5±0.5	21.3±0.5
150 mm <sup>2</sup>	27.1±0.5	22.5±0.5

		JW iConnector Technology Co., Ltd.		
		Weight	Material Zn Alloy	Part Name: HPC 500A Straight Plug
Signature		Date	Page	Tolerance Unless Otherwise Specified (mm):
DRWN	Rey	2017/06/09	2/2	0 PL DEC ± 1.0 1 PL DEC ± 0.5 2 PL DEC ± 0.2 Angles 41°
CHKD	GX	2017/06/09	First Angle Projection	Part Number: See Table
APPR	EC	2017/06/09		
				Drawing No: HPC18-501

# Customer Drawing

HPC 2 8 X - 50 1 - 120

**Plug Type:**

- 28, Shielding R/A Plug
- 58, Unshielding R/A Plug

**Key:**

- X, Orange
- Y, Black
- U, Yellow
- V, Green
- W, Red

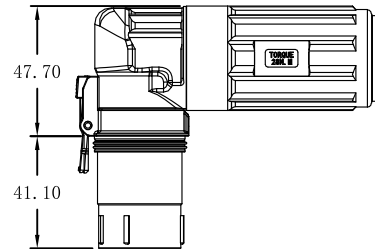
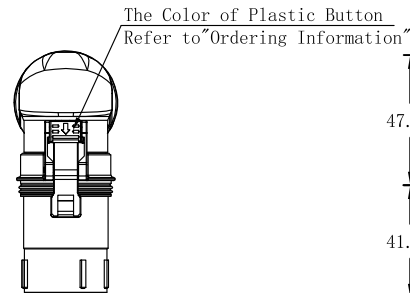
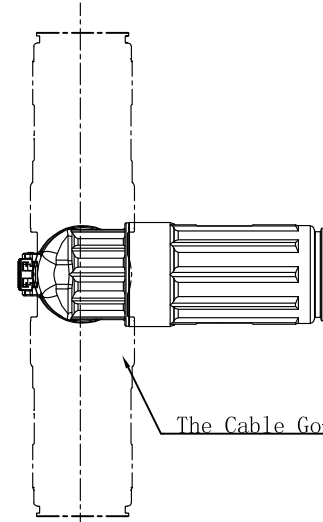
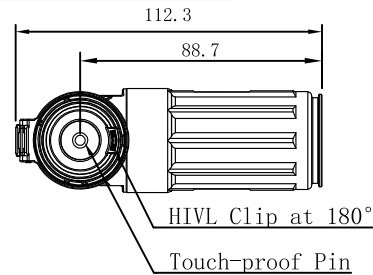
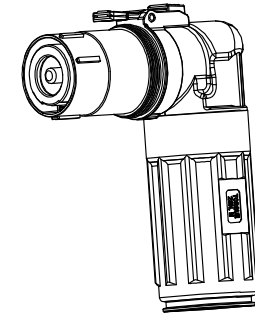
**HVIL:**

- 0, Without HVIL
- 1, With HVIL

**Cable Size:**


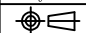
- 70, 70mm<sup>2</sup>
- 95, 95mm<sup>2</sup>
- 120, 120mm<sup>2</sup>
- 135, 135mm<sup>2</sup>
- 150, 150mm<sup>2</sup>

Revisions				
REV#	ECN#	Description	APPR	Date
A	-	Initial Release	EC	2017/06/09



**Spec. :**

1. Operating Temperature: -40° C~+125° C.
2. Current Rating: 500 A Max.
3. Operating Voltage: 1000 VDC.
4. Dielectric Withstanding Voltage: 5000 VDC.
5. Protection Class: IP67 & IP2X.
6. Shielding.
7. Mating Cycle: 500 Min.
8. Automatic Secondary Lock.
10. Mating Receptacle: See Drawing "HPC00-501"


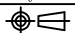
		JW iConnector Technology Co., Ltd.			Part Name: HPC 500A Right Angle
		Weight	Material Zn Alloy		
Signature		Date	Page	Tolerance Unless Otherwise Specified (mm): 0 PL DEC ± 1.0 1 PL DEC ± 0.5 2 PL DEC ± 0.2 Angles ±1°	Drawing No: HPC28-501
DRWN	Rey	2017/06/09	1/2		
CHKD	GX	2017/06/09	First Angle Projection		
APPR	EC	2017/06/09			

Revisions				
REV#	ECN#	Description	APPR	Date
A	-	Initial Release	EC	2017/06/09

With HVIL & Shielding Cable			Without HVIL & with Shielding Cable		
P/N	Description	Cable OD Recommend	P/N	Description	Cable OD Recommend
HPC28X-501-70	HPC 500A R/A HVIL X KEY 70MM <sup>2</sup>	19.5±0.5	HPC28X-500-70	HPC 500A R/A X KEY 70MM <sup>2</sup>	19.5±0.5
HPC28Y-501-70	HPC 500A R/A HVIL Y KEY 70MM <sup>2</sup>		HPC28Y-500-70	HPC 500A R/A Y KEY 70MM <sup>2</sup>	
HPC28U-501-70	HPC 500A R/A HVIL U KEY 70MM <sup>2</sup>		HPC28U-500-70	HPC 500A R/A U KEY 70MM <sup>2</sup>	
HPC28V-501-70	HPC 500A R/A HVIL V KEY 70MM <sup>2</sup>		HPC28V-500-70	HPC 500A R/A V KEY 70MM <sup>2</sup>	
HPC28W-501-70	HPC 500A R/A HVIL W KEY 70MM <sup>2</sup>		HPC28W-500-70	HPC 500A R/A W KEY 70MM <sup>2</sup>	
HPC28X-501-95	HPC 500A R/A HVIL X KEY 95MM <sup>2</sup>	22.6±0.5	HPC28X-500-95	HPC 500A R/A X KEY 95MM <sup>2</sup>	22.6±0.5
HPC28Y-501-95	HPC 500A R/A HVIL Y KEY 95MM <sup>2</sup>		HPC28Y-500-95	HPC 500A R/A Y KEY 95MM <sup>2</sup>	
HPC28U-501-95	HPC 500A R/A HVIL U KEY 95MM <sup>2</sup>		HPC28U-500-95	HPC 500A R/A U KEY 95MM <sup>2</sup>	
HPC28V-501-95	HPC 500A R/A HVIL V KEY 95MM <sup>2</sup>		HPC28V-500-95	HPC 500A R/A V KEY 95MM <sup>2</sup>	
HPC28W-501-95	HPC 500A R/A HVIL W KEY 95MM <sup>2</sup>		HPC28W-500-95	HPC 500A R/A W KEY 95MM <sup>2</sup>	
HPC28X-501-120	HPC 500A R/A HVIL X KEY 120MM <sup>2</sup>	23.5±0.5	HPC28X-500-120	HPC 500A R/A X KEY 120MM <sup>2</sup>	23.5±0.5
HPC28Y-501-120	HPC 500A R/A HVIL Y KEY 120MM <sup>2</sup>		HPC28Y-500-120	HPC 500A R/A Y KEY 120MM <sup>2</sup>	
HPC28U-501-120	HPC 500A R/A HVIL U KEY 120MM <sup>2</sup>		HPC28U-500-120	HPC 500A R/A U KEY 120MM <sup>2</sup>	
HPC28V-501-120	HPC 500A R/A HVIL V KEY 120MM <sup>2</sup>		HPC28V-500-120	HPC 500A R/A V KEY 120MM <sup>2</sup>	
HPC28W-501-120	HPC 500A R/A HVIL W KEY 120MM <sup>2</sup>		HPC28W-500-120	HPC 500A R/A W KEY 120MM <sup>2</sup>	
HPC28X-501-135	HPC 500A R/A HVIL X KEY 135MM <sup>2</sup>	25.5±0.5	HPC28X-500-135	HPC 500A R/A X KEY 135MM <sup>2</sup>	25.5±0.5
HPC28Y-501-135	HPC 500A R/A HVIL Y KEY 135MM <sup>2</sup>		HPC28Y-500-135	HPC 500A R/A Y KEY 135MM <sup>2</sup>	
HPC28U-501-135	HPC 500A R/A HVIL U KEY 135MM <sup>2</sup>		HPC28U-500-135	HPC 500A R/A U KEY 135MM <sup>2</sup>	
HPC28V-501-135	HPC 500A R/A HVIL V KEY 135MM <sup>2</sup>		HPC28V-500-135	HPC 500A R/A V KEY 135MM <sup>2</sup>	
HPC28W-501-135	HPC 500A R/A HVIL W KEY 135MM <sup>2</sup>		HPC28W-500-135	HPC 500A R/A W KEY 135MM <sup>2</sup>	
HPC28X-501-150	HPC 500A R/A HVIL X KEY 150MM <sup>2</sup>	27.1±0.5	HPC28X-500-150	HPC 500A R/A X KEY 150MM <sup>2</sup>	27.1±0.5
HPC28Y-501-150	HPC 500A R/A HVIL Y KEY 150MM <sup>2</sup>		HPC28Y-500-150	HPC 500A R/A Y KEY 150MM <sup>2</sup>	
HPC28U-501-150	HPC 500A R/A HVIL U KEY 150MM <sup>2</sup>		HPC28U-500-150	HPC 500A R/A U KEY 150MM <sup>2</sup>	
HPC28V-501-150	HPC 500A R/A HVIL V KEY 150MM <sup>2</sup>		HPC28V-500-150	HPC 500A R/A V KEY 150MM <sup>2</sup>	
HPC28W-501-150	HPC 500A R/A HVIL W KEY 150MM <sup>2</sup>		HPC28W-500-150	HPC 500A R/A W KEY 150MM <sup>2</sup>	

Customer Drawing

Cable Size	Cable OD Shielding	Cable OD Unshielding
70 mm <sup>2</sup>	19.5±0.5	15.5±0.5
95 mm <sup>2</sup>	22.6±0.5	18.2±0.5
120 mm <sup>2</sup>	23.5±0.5	19.7±0.5
135 mm <sup>2</sup>	25.5±0.5	21.3±0.5
150 mm <sup>2</sup>	27.1±0.5	22.5±0.5

		JW iConnector Technology Co., Ltd.		Part Name: HPC 500A Right Angle
		Weight	Material Zn Alloy	
Signature		Date	Page	Part Number: See Table
DRWN	Rey	2017/06/09	2/2	
CHKD	GX	2017/06/09	First Angle Projection	Drawing No: HPC28-501
APPR	EC	2017/06/09		
		Tolerance Unless Otherwise Specified (mm):		
		0 PL DEC ± 1.0		
		1 PL DEC ± 0.5		
		2 PL DEC ± 0.2		
		Angles ±1°		